



AV125, AV125-GPS & AV125-C Installation and Service Manual

Version 1.0



Table of Contents

Introduction	2
Operating Principle	3
Technology	3
AV125 & AV125-C Models	4
GPS Option	8
Light Status	9
Maintenance & Servicing	11
Flash Codes	12
Troubleshooting	19
Avlite Lantern Warranty	20

Introduction

Congratulations! By choosing to purchase an Avlite lantern you have become the owner of one of the most advanced LED airfield lights in the world.

Avlite Systems draws on more than 20 years experience in the design and manufacture of navigation aids, and particular care has been taken to ensure your light gives years of trouble free service.

As a commitment to producing the highest quality products for our customers, Avlite has been independently certified as complying with the requirements of **ISO 9001:2000** quality management system.

By taking a few moments to browse through this booklet, you will become familiar with the versatility of your light, and be able to maximise its operating function.

Please remember to complete the Avlite warranty registration card accompanying your lantern.



Operating Principle

The solar module of the light converts sunlight to an electrical current that is used to charge the battery (SL125-C models only). The battery provides power to operate the light at night.

The flasher unit has very low current requirements. A microprocessor drives an array of ultra bright LED's through a DC/DC converter, which enables the LED's to operate within the manufacturer's specifications. The battery is protected from over-charging within the circuit to ensure maximum battery life.

On darkness, the microprocessor will initiate a program check and after approximately 1 minute begin flashing to the set code.

Technology

Electronics

Avlite employs leading in-house electronic engineers in the design and development of software and related circuitry. All individual electronic components are sourced directly by Avlite procurement staff ensuring that only the highest quality components are used in our products.

LED Technology

All products use the latest advancements in LED (Light Emitting Diode) technology as a light source. The major advantage of LED's over traditional light sources is well established in that they typically have an operational life in excess of 100,000 hours, resulting in substantial savings to maintenance and servicing costs.

Precision Construction

Commitment to investing in the design and construction of injection-moulded parts including optic lenses, light bases and a range of other components ensures that all Avlite products are of a consistent and superior quality.

Optical Performance

Avlite manufactures a range of marine LED lenses moulded from multi-cavity dies. Complex shapes such as the AV70 lens are a testament to the company's superior in-house lens manufacturing capabilities and outstanding optical performance.

Award-winning, Patented Technology

Several United States and Australian patent registrations are held on Avlite's range of innovative designs, with other regional patents pending in Canada, United Kingdom and Europe.



AV125 & AV125-C Models

The AV125 5-7nm light fixture is the most advanced LED light on the market. Utilising the latest software and micro circuitry developments, the light boasts a huge number of features including flash-memory and the most efficient power conversion available.

This maintenance-free model is also available with up to 4 tiers of 36 LEDs to increase the light intensity for a range of different light colours (see Specifications table below). In particular, the AV125 4-tier model utilises a unique heat-dissipating domed lens to achieve maximum LED intensity output over a wider range of environmental conditions (see diagram page 5).

Remote monitoring and control capabilities are also available for the AV125, allowing the performance of the units to be monitored from remote sites. System status includes battery condition, flash characters, operational configuration, and lantern/buoy position.

Specifications -

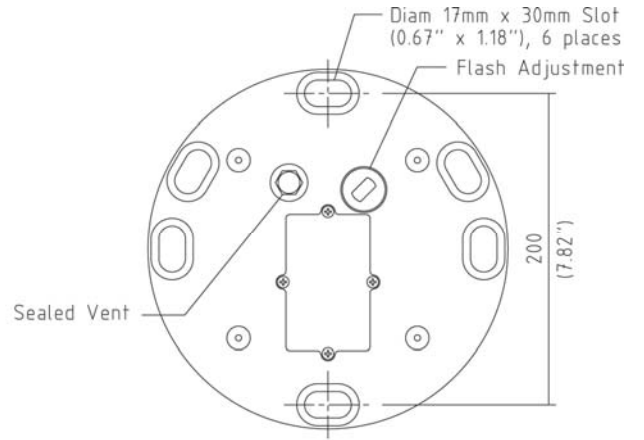
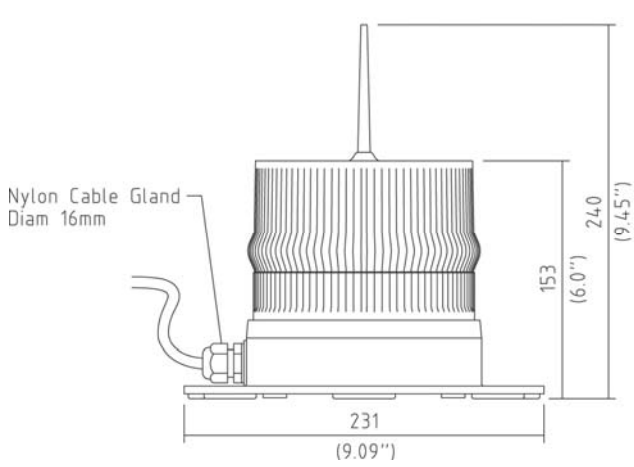
Model	Description	Intensity (peak)	Colour	No. LEDs	Power Amp/hour	Voltage
AV125-1 R	1-tier LED Light	87	Red	36	0.42	12v
AV125-1 G		86	Green	36	0.32	12v
AV125-1 W		61	White	36	0.32	12v
AV125-1 Y		65	Yellow	36	0.42	12v
AV125-2 R	2-tiered LED Light	169	Red	72	0.84	12v
AV125-2 G		168	Green	72	0.64	12v
AV125-2 W		119	White	72	0.64	12v
AV125-2 Y		125	Yellow	72	0.84	12v
AV125-3 R	3-tiered LED Light	252	Red	108	1.26	12v
AV125-3 G		249	Green	108	0.96	12v
AV125-3 W		173	White	108	0.96	12v
AV125-3 Y		182	Yellow	108	1.26	12v
AV125-4 R	4-tiered LED Light	332	Red	144	1.68	12v
AV125-4 G		329	Green	144	1.28	12v
AV125-4 W		228	White	144	1.28	12v
AV125-4 Y		280	Yellow	144	1.68	12v

- Specifications subject to change or variation without notice

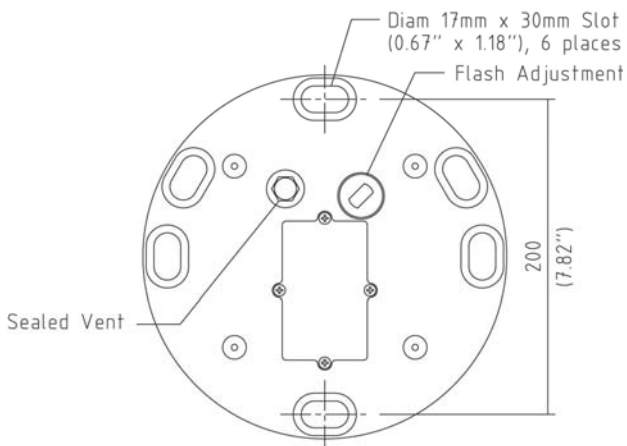
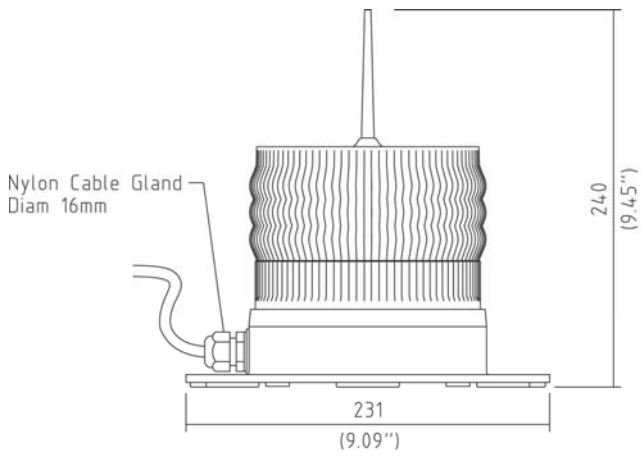
All AV125 models, outlined above, are available as a complete lantern assembly. Incorporating 1 or 2 20watt solar modules as standard, Avlite's AV125-C provides a complete solution for visual navigation requirements. These models can also be readily equipped with up to 2 individual 40watt solar modules to power longer-range requirements or ancillary equipment.



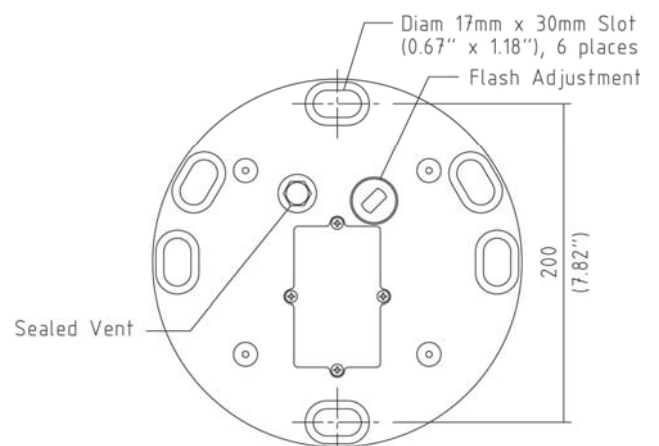
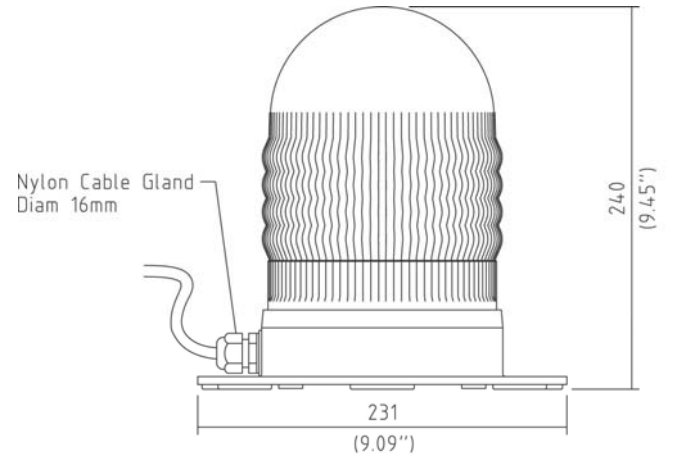
AV125 (standard)



AV125-2 & AV125-

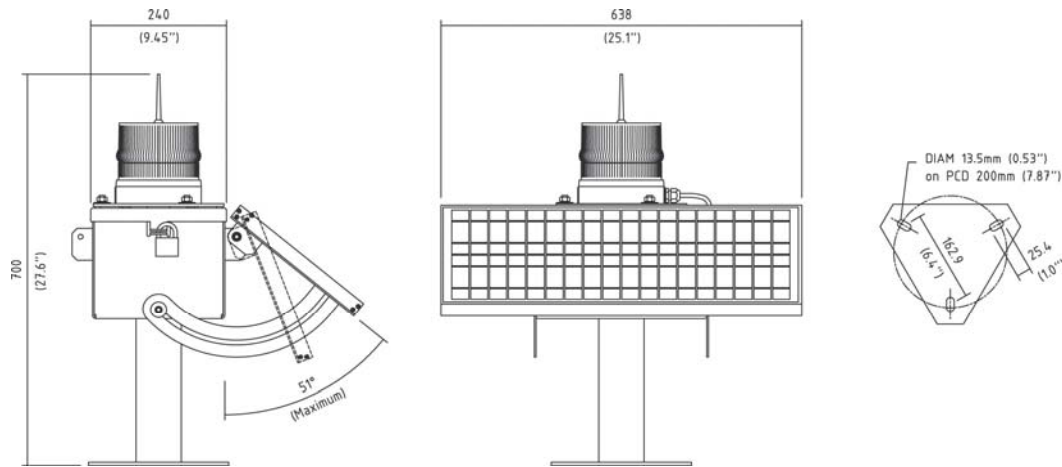


AV125-4





AV125-C



Installation of AV125 & AV125-C Models

Before activating the light, intensity and flash settings must be set.

1. Remove the bolt/lock securing the battery box lid, and open unit (AV125-C ONLY).
2. Remove the bung from the base of the AV125 light.
3. The power and range settings of the lantern are adjusted by setting the DIP switches inside the lantern. Your lantern is normally set to maximum range (see 'Selecting Intensity Setting', page 7).
4. Set rotary switches to the required flash code (see 'Selecting a Flash Code', page 7).
5. Replace bung.
6. A sealed vent on the base allows air transfer without moisture intake, and should not be disturbed.

Lantern is activated by connecting positive and negative battery wires (and solar module wires for AV125-C).

AV125

1. Battery Connection: Connect "Battery Positive (+)" wire to positive terminal of battery, and "Battery Negative (-)" wire to negative terminal of battery.
Mains Connection: Connect positive and negative wires to 12volt power supply (ONLY).
2. To test place dark cover (towel or jacket) on top of light to activate sensor, light will come on.
3. Ensure that the unit is bolted to an even, flat surface.

AV125-C

1. Inside the battery box is an internal battery container. To access the battery, remove the four screws and lid of this internal container.
2. Connect the "Battery Negative (-)" wire to the negative terminal of the battery, and the "Battery Positive (+)" wire to the positive terminal of the battery.
3. Connect the "Solar Negative (-)" wire to the negative terminal of the battery, and the "Solar Positive (+)" wire to the positive terminal of the battery.
4. Replace the internal battery container lid and screws making sure no wires are protruding.
5. Close the battery box lid and secure with bolt/lock. Light is now activated.
6. To test place dark cover (towel or jacket) on top of light to activate sensor, light will come on.
7. Ensure that the unit is bolted to an even, flat surface.

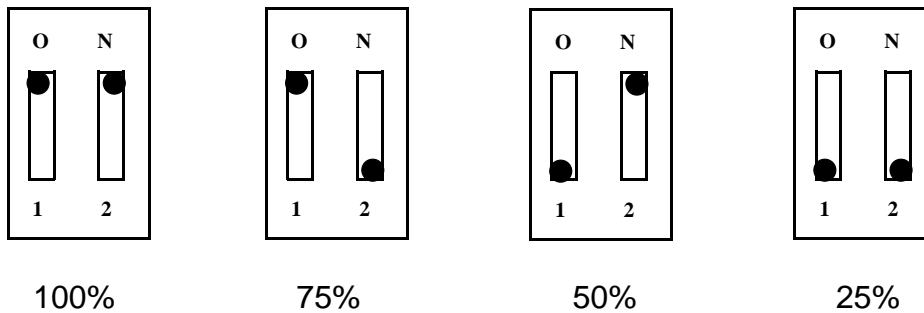
Care must be taken to observe the polarity of each wire before they are connected.



Selecting an Intensity Setting

Pulse settings on Avlite lights operate via DIP switches, located near the rotary switches on the flasher unit. The pulse settings may be used to reduce the power consumption and intensity of the light. Setting the lantern to 25% pulse will reduce the power consumption to 25% of the normal 100% setting and the range by 50%. This setting may be used to adjust to local sunlight conditions.

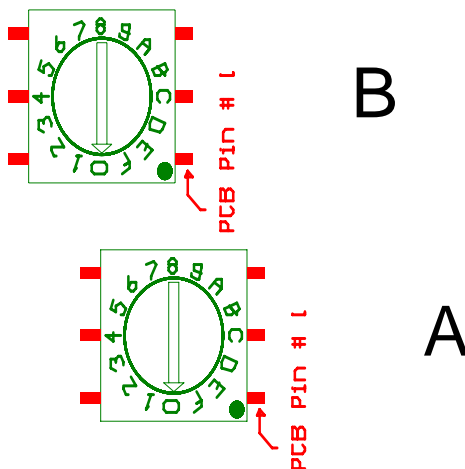
The following diagrams indicate pulse settings:-



Selecting a Flash Code- Rotary Switches A and B

All lights have 2 rotary switches marked A and B on the flasher unit, as below. Turning the small arrows to the appropriate number or letter will set the code (see 'Flash Code' section, page 12). The unit may take up to one minute to activate a new flash code. A comprehensive list of available flash codes is listed on pages 12-19 of this manual.

Rotary Switches A and B



NOTE: Refer to 'Light Status' section to check the status of the light after activated. Indicated by red and yellow status LED's viewed at the base of the lens (page 9).



GPS Option

This GPS option can be added to any of the AV125 models previously outlined, and provides the user with the ability to install independently operating lanterns that all flash in synchronisation.

No additional power supplies, aerials or control systems are required, and with its microprocessor-based system, the AV125-GPS option is specifically designed to provide maximum reliability and performance over a wide range of environmental conditions. The GPS board is a separate PCB mounted above the standard AV125 circuitry.

Operating Principle

Each light operates independently and requires no operator intervention. A minimum of 3 satellites need to be in view for the built-in GPS receiver to collect time data. At dusk, the light sensor will turn the light on. If time data is available the light will come on synchronised to every other light with the same selected flash code.

Synchronisation is achieved using an internal algorithm based on the highly accurate time base and time data received from the satellites. The satellite data is provided from a number of earth stations using atomic clocks as the time base. Continuous self-checking ensures that the light will continue to run in synchronisation.

Light Activation

At power-up the microprocessor checks that the internal GPS module is programmed correctly and is able to provide valid time base and time data.

The light then checks for day/night. If it is daylight the internal microprocessor will go to idle mode after approximately 10 seconds. This reduces the overall power consumption when the light is not required. Once outside with a clear view of the sky, valid data should become available within 20 minutes.

Daylight Operation

During daylight hours the microprocessor is in idle mode to reduce power consumption. Time data continues to be updated once per second. The microprocessor will automatically exit the idle mode as soon as dark conditions are detected.

Dark Operation

When dark conditions are detected the light:

- ❖ Checks for valid time data and is turned on after a delay based on the current time and the length of the selected flash code;
- ❖ If valid time data is not detected the light will turn on after approximately 10 seconds. This light will not be synchronised.
- ❖ If the light turns on unsynchronised it will continually check for valid time data. Once valid data is found the light will automatically synchronise.

NOTE: Lights will not synchronise if different flash codes are selected.

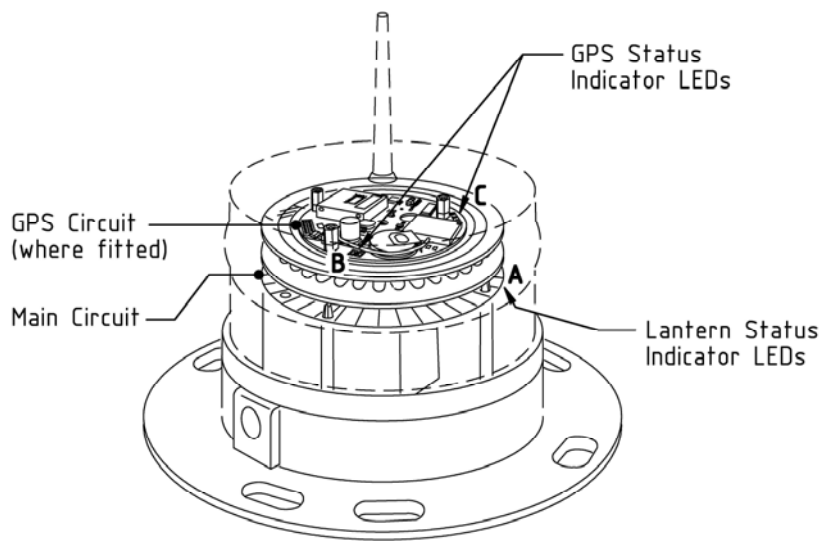


Light Status

Two status LED's on the main printed circuit board (position A in image below) provide the operator with an indication of the lantern status.

There is one RED and one YELLOW LED that in different combinations of ON/OFF/FLASHING will indicate the current operational status of the light, and vary depending on whether the lantern is set to steady-on, or a flashing light characteristic.

These indicator LED's can be viewed at the base of the lens. Separate indicator LEDs are located on the top of the GPS circuit board (where fitted- see position B & C of image below).



STEADY LIGHT (see *Lantern Status Indicator LEDs "A" from above image*)

LED Combinations		Lantern Status	Lantern	Comment
YELLOW LED	RED LED			
Flashing ON/OFF very quick 9 times per second then 11 seconds off	OFF	Normal	OFF	Normal running condition in daylight.
Flashing constant	OFF	Normal	ON	Normal running condition.
Flashing ON/OFF very quick 9 times per second	Fixed-on	Low Battery Voltage (<8v)	OFF	Battery is flat. Battery must receive charge and light must see daylight for at least 1 minute before resuming normal operation.
Fixed-on	OFF	High Solar Voltage (>15.3v)	ON	Battery is in state of very high charge. Check regulator if persists.
Flashing ON/OFF 9 times per second	Flashing ON/OFF 1 time per second	High internal ambient temperature (>75°C)	ON	Internal ambient temperature is >75°C. Selected light intensity is dropped by 25%. Will resume normal operation when temperature <75°C.



FLASHING LIGHT (Lantern Status Indicator LEDs “A” from image page 9)

LED Combinations		Lantern Status	Lantern	Comment
YELLOW LED	RED LED			
A. Flashing ON/OFF 1 time per second	OFF	Normal and synchronised when GPS fitted	ON	Normal running condition synchronised to GPS. Will take up to 10 minutes when first powered up. Condition only active in darkness..
B. Flashing ON/OFF very quick constant	OFF	Normal but not synchronised	ON	Normal running condition, but light does not synchronise to other lights. GPS not fitted or no time data received.
C. Flashing ON/OFF very quick 9 times second then 11 seconds off	OFF	Normal	OFF	Normal running condition in daylight.
Flashing ON/OFF very quick 9 times per second	Fixed-on	Low Battery Voltage (<8v)	OFF	Battery is flat. Battery must receiver charge and light must see daylight for at least 1 minute before resuming normal operation.
Fixed-on	OFF	High Solar Voltage (>15.3v)	ON	Battery is in state of very high charge. Check regulator if persists.
Flashing ON/OFF 1 time per second	Flashing ON/OFF 1 time per second	High internal ambient temperature (>75°C)	ON	Internal ambient temperature is >75°C. Selected light intensity is dropped by 25%. Will resume normal operation when temperature <75°C.

NOTE

- 1 second interval flashing Yellow LED indicates light is operating in synchronisation with the optional fitted GPS correctly.
- If checking in daylight lantern must be covered to activate flash pattern.

GPS BOARD (where fitted)

LED Combinations		GPS Status	Lantern	Comment
YELLOW LED	RED LED			
GPS Status Indicator LEDs “B” (see image page 9)				
A. ON steady	OFF	Normal	ON or OFF	GPS powered up.
GPS Status Indicator LEDs “C” (see image page 9)				
B. Flashing ON/OFF very quick constant	Flashing ON/OFF very quick constant faint	Normal	ON	GPS software running.
C. Flashes in sequence with red LED	Flashes in sequence with yellow LED	Off	OFF/ON	GPS software not operational





Maintenance and Servicing

Designed to be virtually maintenance-free, the AV125, AV125-C, & AV125-GPS require minimal attention, though the following maintenance and servicing information is provided to help ensure the life of your Avlite product.

1. Cleaning Lens- occasional cleaning of the light lens may be required. Using a cloth and warm soapy water, wipe off any foreign matter before rinsing the lens with fresh water.
2. Cleaning Solar Panels- occasional cleaning of the solar panels may be required. Using a cloth and warm soapy water, wipe off any foreign matter before rinsing the panels with fresh water (*AV125-C models only*).
3. Battery Check- inspection of batteries should be performed every three years (minimum) to ensure that the charger, battery and ancillary electronics are functioning correctly. Using a voltage meter, check that the battery voltage is at least 12 volts under 100MA load, and ensure all terminals are clear of foreign matter (*AV125-C models only*).

Replacing the Battery

The AV125-C lights have a sealed battery compartment, which provides the user with the ability to change the battery after years of operation.

1. Remove the bolt/lock securing the battery box lid, and open unit.
2. Inside the battery box is an internal battery container. To access the battery, remove the four screws and lid of this internal container.
3. Remove old battery from container and disconnect all connecting wires. Discard battery in a safe manner.
8. Connect the "Battery Negative (-)" wire to the negative terminal of the new battery, and the "Battery Positive (+)" wire to the positive terminal of the new battery.
9. Connect the "Solar Negative (-)" wire to the negative terminal of the battery, and the "Solar Positive (+)" wire to the positive terminal of the battery.
10. Replace the internal battery container lid and screws making sure no wires are protruding.
11. Close the battery box lid and secure with bolt/lock. Light is now activated.
12. To test place dark cover (towel or jacket) on top of light to activate sensor, light will come on.

***Care must be taken to observe the polarity of each wire before they are connected.
To ensure waterproofing of the unit, make sure that no wires are protruding and that there is
an even seal.
Always discard old batteries in a safe manner.***



Flash Codes

AVLITE® code reference is listed by number of flashes

For the latest version of this document, e-mail: info@avlite.com

Symbols

FL	Flash followed by number Eg. FL 1 S, one flash every second
F	Fixed
Q	Quick flash
VQ	Very quick flash
OC	Occulting; greater period on than off
ISO	Isophase; equal period on and off
LFL	Long flash long
MO	Morse code () contains letter

For example, VQ (6) + LFL 10 S means 6 very quick flashes followed by a long flash, during a 10-second interval.

The amount of power your lantern draws through the night depends on the duty cycle, i.e. the amount of time on as a proportion to the timing cycle. For example, 0.5 seconds on and 4.5 seconds off equals a 10% duty cycle.

It is best to operate at the lowest duty cycle appropriate to the actual needs of the application.

Please note, Avlite models will retain full autonomy in normal operating conditions with duty-cycles up to approximately 30%. In applications whereby duty cycles exceed this limit, a reduction in light intensity is recommended. Please contact an Avlite consultant if assistance is required.



SWITCH		FLASH CODE	ON	OFF
A	B			
0	0	F (Steady light)		
D	3	VQ 0.5 S	0.2	0.3
E	3	VQ 0.6 S	0.2	0.4
F	3	VQ 0.6 S	0.3	0.3
7	3	Q 1 S	0.2	0.8
8	3	Q 1 S	0.3	0.7
9	3	Q 1 S	0.4	0.6
A	3	Q 1 S	0.5	0.5
8	4	Q 1 S	0.8	0.2
B	3	Q 1.2 S	0.3	0.9
9	4	Q 1.2 S	0.5	0.7
C	3	Q 1.2 S	0.6	0.6
F	4	FL 1.5 S	0.2	1.3
1	0	FL 1.5 S	0.3	1.2
0	5	FL 1.5 S	0.4	1.1
0	4	FL 1.5 S	0.5	1.0
2	0	FL 2 S	0.2	1.8
3	0	FL 2 S	0.3	1.7
4	0	FL 2 S	0.4	1.6
5	0	FL 2 S	0.5	1.5
6	0	FL 2 S	0.7	1.3
7	0	FL 2 S	0.8	1.2
1	2	ISO 2 S	1.0	1.0
8	0	FL 2.5 S	0.3	2.2
9	0	FL 2.5 S	0.5	2.0
D	6	FL 2.5 S	1.0	1.5
1	5	FL 3 S	0.2	2.8
A	0	FL 3 S	0.3	2.7
2	5	FL 3 S	0.4	2.6
B	0	FL 3 S	0.5	2.5
3	5	FL 3 S	0.6	2.4
C	0	FL 3 S	0.7	2.3
D	0	FL 3 S	1.0	2.0
2	2	ISO 3 S	1.5	1.5
5	4	OC 3 S	2.0	1.0
E	2	OC 3 S	2.5	0.5
4	6	OC 3.5 S	2.5	1.0
4	5	FL 4 S	0.2	3.8
5	5	FL 4 S	0.3	3.7
E	0	FL 4 S	0.4	3.6
F	0	FL 4 S	0.5	3.5
6	5	FL 4 S	0.6	3.4
0	1	FL 4 S	0.8	3.2
1	1	FL 4 S	1.0	3.0
2	1	FL 4 S	1.5	2.5
3	2	ISO 4 S	2.0	2.0
3	6	OC 4 S	2.5	1.5
F	2	OC 4 S	3.0	1.0
3	1	FL 4.3 S	1.3	3.0
8	5	FL 5 S	0.2	4.8
4	1	FL 5 S	0.3	4.7
5	1	FL 5 S	0.5	4.5
9	5	FL 5 S	0.9	4.1
6	1	FL 5 S	1.0	4.0
7	1	FL 5 S	1.5	3.5
4	2	ISO 5 S	2.5	2.5
8	2	LFL 5 S	2.0	3.0
0	3	OC 5 S	3.0	2.0



SWITCH		FLASH CODE	ON	OFF
A	B			
1	3	OC 5 S	4.0	1.0
2	3	OC 5 S	4.5	0.5
C	6	FL 6 S	0.2	5.8
B	5	FL 6 S	0.3	5.7
C	5	FL 6 S	0.4	5.6
8	1	FL 6 S	0.5	5.5
9	1	FL 6 S	0.6	5.4
A	1	FL 6 S	1.0	5.0
7	5	FL 6 S	1.2	4.8
B	1	FL 6 S	1.5	4.5
5	2	ISO 6 S	3.0	3.0
9	2	LFL 6 S	2.0	4.0
6	4	OC 6 S	4.0	2.0
3	3	OC 6 S	4.5	1.5
4	3	OC 6 S	5.0	1.0
A	4	FL 7 S	1.0	6.0
9	6	FL 7 S	2.0	5.0
5	6	OC 7 S	4.5	2.5
D	5	FL 7.5 S	0.5	7.0
C	1	FL 7.5 S	0.8	6.7
E	5	FL 8 S	0.5	7.5
B	4	FL 8 S	1.0	7.0
6	2	ISO 8 S	4.0	4.0
A	2	LFL 8 S	2.0	6.0
6	6	OC 8 S	5.0	3.0
B	2	LFL 8 S	3.0	5.0
F	5	FL 9 S	0.9	8.1
C	4	FL 9 S	1.0	8.0
7	6	OC 9 S	6.0	3.0
0	6	FL 10 S	0.2	9.8
1	6	FL 10 S	0.3	9.7
D	1	FL 10 S	0.5	9.5
2	6	FL 10 S	0.8	9.2
E	1	FL 10 S	1.0	9.0
1	4	FL 10 S	1.5	8.5
C	2	LFL 10 S	2.0	8.0
D	2	LFL 10 S	3.0	7.0
7	2	ISO 10 S	5.0	5.0
2	4	LFL 10 S	4.0	6.0
8	6	OC 10 S	6.0	4.0
5	3	OC 10 S	7.0	3.0
6	3	OC 10 S	7.5	2.5
F	1	FL 12 S	1.2	10.8
D	4	FL 12 S	2.5	9.5
3	4	LFL 12 S	2.0	10.0
0	2	FL 15 S	1.0	14.0
4	4	LFL 15 S	4.0	11.0
7	4	OC 15 S	10.0	5.0
A	6	LFL 20 S	2.0	18.0
E	4	FL 26 S	1.0	25.0



SWITCH		FLASH CODE	ON	OFF	ON	OFF
A	B					
0	A	FL (2) 4 S	0.5	1.0	0.5	2.0
E	B	VQ (2) 4 S	0.2	1.0	0.2	2.6
1	A	FL (2) 4.5 S	0.3	1.0	0.3	2.9
2	A	FL (2) 4.5 S	0.4	1.0	0.4	2.7
3	A	FL (2) 4.5 S	0.5	1.0	0.5	2.5
F	9	FL (2) 5 S	0.2	0.8	0.2	3.8
2	C	FL (2) 5 S	0.2	1.2	0.2	3.4
4	A	FL (2) 5 S	0.4	0.6	0.4	3.6
0	7	FL (2) 5 S	0.5	1.0	0.5	3.0
1	7	FL (2) 5 S	1.0	1.0	1.0	2.0
9	B	Q (2) 5 S	0.3	0.7	0.3	3.7
2	9	Q (2) 5 S	0.5	0.5	0.5	3.5
5	A	FL (2) 5.5 S	0.4	1.4	0.4	3.3
7	8	FL (2) 6 S	0.3	0.6	1.0	4.1
A	A	FL (2) 6 S	0.3	0.9	0.3	4.5
6	A	FL (2) 6 S	0.3	1.0	0.3	4.4
7	A	FL (2) 6 S	0.4	1.0	0.4	4.2
9	9	FL (2) 6 S	0.5	1.0	0.5	4.0
2	8	FL (2) 6 S	0.8	1.2	0.8	3.2
3	7	FL (2) 6 S	1.0	1.0	1.0	3.0
3	9	Q (2) 6 S	0.3	0.7	0.3	4.7
A	9	FL (2) 7 S	1.0	1.0	1.0	4.0
7	B	FL (2) 8 S	0.4	0.6	2.0	5.0
8	A	FL (2) 8 S	0.4	1.0	0.4	6.2
4	7	FL (2) 8 S	0.5	1.0	0.5	6.0
8	8	FL (2) 8 S	0.8	1.2	2.4	3.6
5	7	FL (2) 8 S	1.0	1.0	1.0	5.0
4	C	OC (2) 8 S	3.0	2.0	1.0	2.0
5	C	OC (2) 8 S	5.0	1.0	1.0	1.0
F	B	VQ (2) 8 S	0.2	1.0	0.2	6.6
9	A	FL (2) 10 S	0.4	1.6	0.4	7.6
9	8	FL (2) 10 S	0.5	0.5	1.5	7.5
6	7	FL (2) 10 S	0.5	1.0	0.5	8.0
7	7	FL (2) 10 S	0.5	1.5	0.5	7.5
6	9	FL (2) 10 S	0.5	2.0	0.5	7.0
8	7	FL (2) 10 S	0.8	1.2	0.8	7.2
B	9	FL (2) 10 S	1.0	1.0	1.0	7.0
9	7	FL (2) 10 S	1.0	1.5	1.0	6.5
4	9	Q (2) 10 S	0.6	0.4	0.6	8.4
B	A	FL (2) 12 S	0.4	1.0	0.4	10.2
C	9	FL (2) 12 S	0.5	1.0	0.5	10.0
D	9	FL (2) 12 S	1.5	2.0	1.5	7.0
A	8	FL (2) 15 S	0.5	1.5	2.0	11.0
A	7	FL (2) 15 S	1.0	2.0	1.0	11.0
8	B	Q (2) 15 S	0.2	0.8	0.2	13.8
C	A	FL (2) 20 S	1.0	3.0	1.0	15.0
D	A	FL (2) 25 S	1.0	1.0	1.0	22.0



SWITCH	FLASH CODE	ON	OFF	ON	OFF	ON	OFF
A	B						
7	9	Q (3) 5 S	0.5	0.5	0.5	0.5	2.5
5	9	VQ (3) 5 S	0.2	0.3	0.2	0.3	3.8
0	C	VQ (3) 5 S	0.3	0.2	0.3	0.2	3.7
E	9	VQ (3) 5 S	0.3	0.3	0.3	0.3	3.5
3	C	FL (3) 6 S	0.5	1.0	0.5	1.0	2.5
2	B	FL (2+1) 6 S	0.3	0.4	0.3	1.2	3.5
A	B	Q (3) 6 S	0.3	0.7	0.3	0.7	3.7
F	A	FL (3) 8 S	0.5	1.0	0.5	1.0	4.5
0	B	FL (3) 9 S	0.3	1.0	0.3	1.0	6.1
B	7	FL (3) 9 S	0.8	1.2	0.8	1.2	4.2
B	8	FL (3) 10 S	0.3	0.7	0.3	0.7	7.1
C	8	FL (3) 10 S	0.4	0.6	0.4	0.6	6.8
C	B	FL (3) 10 S	0.5	0.5	0.5	0.5	7.5
C	7	FL (3) 10 S	0.5	1.5	0.5	1.5	5.5
D	B	FL (3) 10 S	0.6	0.6	0.6	0.6	7.0
D	7	FL (3) 10 S	1.0	1.0	1.0	1.0	5.0
3	8	FL (2+1) 10 S	0.5	0.7	0.5	2.1	5.7
8	9	OC (3) 10 S	5.0	1.0	1.0	1.0	1.0
B	B	Q (3) 10 S	0.3	0.7	0.3	0.7	7.7
D	8	FL (2 + 1) 10 S	0.5	0.5	0.5	0.5	6.5
1	B	FL (3) 12 S	0.5	1.5	0.5	1.5	7.5
E	A	FL (3) 12 S	0.5	2.0	0.5	2.0	6.5
E	7	FL (3) 12 S	0.8	1.2	0.8	1.2	7.2
B	6	FL (3) 12 S	1.0	1.0	1.0	3.0	5.0
4	8	FL (2+1) 12 S	0.8	1.2	0.8	2.4	6.0
5	8	FL (2+1) 12 S	1.0	1.0	1.0	4.0	4.0
1	8	FL (2+1) 13.5 S	1.0	1.0	1.0	4.0	5.5
F	7	FL (3) 15 S	0.3	1.7	0.3	1.7	10.7
9	D	FL (3) 15 S	0.4	1.0	0.4	1.0	11.8
0	8	FL (3) 15 S	0.5	1.5	0.5	1.5	10.5
F	8	FL (2+1) 15 S	0.6	0.3	0.6	0.3	11.8
0	9	FL (2+1) 15 S	0.7	0.5	0.7	0.5	10.7
1	9	FL (2+1) 15 S	0.7	0.7	0.7	0.7	10.1
6	8	FL (2+1) 15 S	1.0	2.0	1.0	5.0	5.0
1	C	VQ (3) 15 S	0.1	0.5	0.1	0.5	13.7
4	B	FL (3) 20 S	0.5	3.0	0.5	3.0	12.5
3	B	FL (3) 20 S	0.5	1.5	0.5	1.5	15.5
5	B	FL (3) 20 S	0.8	1.2	0.8	1.2	15.2
6	B	FL (3) 20 S	1.0	1.0	1.0	1.0	15.0



SWITCH		FLASH CODE	ON	OFF	ON	OFF	ON	OFF	ON	OFF
A	B									
B	F	VQ (4) 4 S	0.25	0.25	0.25	0.25	0.25	0.25	0.25	2.25
B	D	Q (4) 6 S	0.3	0.7	0.3	0.7	0.3	0.7	0.3	2.7
8	D	Q (4) 6 S	0.4	0.6	0.4	0.6	0.4	0.6	0.4	2.6
1	D	FL (4) 10 S	0.5	1.0	0.5	1.0	0.5	1.0	0.5	5.0
2	D	FL (4) 10 S	0.8	1.2	0.8	1.2	0.8	1.2	0.8	3.2
F	E	Q (4) 10 S	0.3	0.7	0.3	0.7	0.3	0.7	0.3	6.7
B	E	FL (4) 12 S	0.3	1.7	0.3	1.7	0.3	1.7	0.3	5.7
4	F	FL (4) 12 S	0.5	0.5	0.5	0.5	0.5	0.5	0.5	8.5
C	E	FL (4) 12 S	0.5	1.5	0.5	1.5	0.5	1.5	0.5	5.5
3	D	FL (4) 12 S	0.8	1.2	0.8	1.2	0.8	1.2	0.8	5.2
A	D	Q (4) 12 S	0.3	0.7	0.3	0.7	0.3	0.7	0.3	8.7
4	D	FL (4) 15 S	0.5	1.5	0.5	1.5	0.5	1.5	0.5	8.5
8	E	FL (4) 15 S	1.0	1.0	1.0	1.0	1.0	1.0	1.0	8.0
7	D	FL (4) 15 S	1.5	0.5	0.5	0.5	0.5	0.5	0.5	10.5
D	E	FL (4) 16 S	0.5	1.5	0.5	1.5	0.5	1.5	0.5	9.5
C	D	FL (4) 20 S	0.3	3.0	0.3	3.0	0.3	3.0	0.3	9.8
5	D	FL (4) 20 S	0.5	1.5	0.5	1.5	0.5	1.5	0.5	13.5
0	D	FL (4) 20 S	0.5	1.5	0.5	1.5	0.5	4.5	0.5	10.5
3	F	FL (4) 20 S	1.5	1.5	1.5	1.5	1.5	1.5	1.5	9.5
0	F	Q (4) 20 S	0.5	0.5	0.5	0.5	0.5	0.5	0.5	16.5
E	E	Q (4) 28 S	0.5	0.5	0.5	0.5	0.5	0.5	0.5	24.5
6	F	FL (4) 30 S	0.5	0.5	0.5	0.5	0.5	0.5	0.5	26.5



SWITCH	FLASH CODE	ON	OFF	ON	OFF	ON	OFF	ON	OFF	ON	OFF	
A	B											
D	D	Q (5) 7 S	0.3	0.7	0.3	0.7	0.3	0.7	0.3	0.7	0.3	2.7
E	D	Q (5) 10 S	0.3	0.7	0.3	0.7	0.3	0.7	0.3	0.7	0.3	5.7
E	8	FL (5) 16.5 S	5.0	1.5	0.5	1.5	0.5	1.5	0.5	1.5	0.5	3.5
5	F	FL (5) 20 S	0.5	0.5	0.5	0.5	0.5	0.5	0.5	0.5	0.5	15.5
9	F	FL (5) 20 S	0.8	1.2	0.8	1.2	0.8	1.2	0.8	1.2	0.8	11.2
9	E	FL (5) 20 S	1.0	1.0	1.0	1.0	1.0	1.0	1.0	1.0	1.0	11.0

SWITCH	FLASH CODE	ON	OFF	ON	OFF	ON	OFF	ON	OFF	ON	OFF	ON	OFF	
A	B													
F	D	Q (6) 10 S	0.3	0.7	0.3	0.7	0.3	0.7	0.3	0.7	0.3	0.7	0.3	4.7
A	F	FL (6) 15 S	0.3	0.7	0.3	0.7	0.3	0.7	0.3	0.7	0.3	0.7	0.3	9.7
7	F	FL (6) 15 S	0.5	1.0	0.5	1.0	0.5	1.0	0.5	1.0	0.5	1.0	0.5	7.0
A	E	FL (6) + LFL 15 S	0.5	1.0	0.5	1.0	0.5	1.0	0.5	1.0	0.5	1.0	0.5	7.0

SWITCH	FLASH CODE	ON	OFF	ON	OFF	ON	OFF	ON	OFF	ON	OFF	ON	OFF	ON	OFF	
A	B															
6	E	VQ (6) + LFL 10 S	0.2	0.3	0.2	0.3	0.2	0.3	0.2	0.3	0.2	0.3	0.2	0.3	2.0	5.0
7	E	VQ (6) + LFL 10 S	0.3	0.3	0.3	0.3	0.3	0.3	0.3	0.3	0.3	0.3	0.3	0.3	2.0	4.4
2	F	Q (6) + LFL 15 S	0.2	0.8	0.2	0.8	0.2	0.8	0.2	0.8	0.2	0.8	0.2	0.8	2.0	7.0
2	E	Q (6) + LFL 15 S	0.3	0.7	0.3	0.7	0.3	0.7	0.3	0.7	0.3	0.7	0.3	0.7	2.0	7.0
3	E	Q (6) + LFL 15 S	0.6	0.6	0.6	0.6	0.6	0.6	0.6	0.6	0.6	0.6	0.6	0.6	2.0	5.8
8	F	VQ (6) + LFL 15 S	0.3	0.3	0.3	0.3	0.3	0.3	0.3	0.3	0.3	0.3	0.3	0.3	2.0	9.4

SWITCH	FLASH CODE	ON	OFF	ON	OFF	ON	OFF	ON	OFF	ON	OFF	ON	OFF	ON	OFF	ON	OFF	ON	OFF	
A	B																			
4	E	VQ (9) 10 S	0.2	0.3	0.2	0.3	0.2	0.3	0.2	0.3	0.2	0.3	0.2	0.3	0.2	0.3	0.2	0.3	0.2	5.8
5	E	VQ (9) 10 S	0.3	0.3	0.3	0.3	0.3	0.3	0.3	0.3	0.3	0.3	0.3	0.3	0.3	0.3	0.3	0.3	0.3	4.9
1	F	Q (9) 15 S	0.2	0.8	0.2	0.8	0.2	0.8	0.2	0.8	0.2	0.8	0.2	0.8	0.2	0.8	0.2	0.8	0.2	6.8
0	E	Q (9) 15 S	0.3	0.7	0.3	0.7	0.3	0.7	0.3	0.7	0.3	0.7	0.3	0.7	0.3	0.7	0.3	0.7	0.3	6.7
1	E	Q (9) 15 S	0.6	0.6	0.6	0.6	0.6	0.6	0.6	0.6	0.6	0.6	0.6	0.6	0.6	0.6	0.6	0.6	0.6	4.8

SWITCH	FLASH CODE	ON	OFF	ON	OFF	ON	OFF	ON	OFF	
A	B									
MORSE CODE () INDICATES LETTER										
7	8	MO (A) 6 S	0.3	0.6	1.0	4.1				
7	B	MO (A) 8 S	0.4	0.6	2.0	5.0				
8	8	MO (A) 8 S	0.8	1.2	2.4	3.6				
B	8	MO (U) 10 S	0.3	0.7	0.3	0.7	0.9	7.1		
C	8	MO (U) 10 S	0.4	0.6	0.4	0.6	1.2	6.8		
D	8	MO (U) 10 S	0.5	0.5	0.5	0.5	1.5	6.5		
9	8	MO (A) 10 S	0.5	0.5	1.5	7.5				
8	9	MO (D) 10 S	5.0	1.0	1.0	1.0	1.0	1.0		
A	8	MO (A) 15 S	0.5	1.5	2.0	11.0				
F	8	MO (U) 15 S	0.6	0.3	0.6	0.3	1.4	11.8		
0	9	MO (U) 15 S	0.7	0.5	0.7	0.5	1.9	10.7		
1	9	MO (U) 15 S	0.7	0.7	0.7	0.7	2.1	10.1		
7	D	MO (B) 15 S	1.5	0.5	0.5	0.5	0.5	0.5	0.5	10.5



Trouble Shooting

Problem

Remedy

Light will not activate.	<ul style="list-style-type: none"> • Ensure light is in darkness. • Wait at least 60 seconds for the program to initialise in darkness. • Ensure switch setting is on a valid code (not unused flash code). • Ensure battery terminals are properly connected. • Ensure battery voltage is above 12volts.
Timing codes will not change.	<ul style="list-style-type: none"> • Turn rotary switches several times to ensure contacts are clear.
Light will not operate for the entire night.	<ul style="list-style-type: none"> • Expose light to direct sunlight and monitor operation for several days. Avlite products typically require 1.5 hours of direct sunlight per day to retain full autonomy. From a discharged state, the lantern may require several days of operational conditions to 'cycle' up to full autonomy. • Reducing the light output intensity or duty cycle (flash code) will reduce current draw on the battery. • Ensure solar module is clean and not covered by shading during the day.



Avlite Systems Solar Airfiled Light Warranty

Activating the warranty

Upon purchase, the Avlite Systems warranty must be activated for recognition of future claims. To do this you have two (2) options:

1. Postal registration
 - Please complete the Avlite Systems Warranty Registration card and return to Avlite within 30 days of your purchase.

2. Online registration
 - Please complete the Online Registration form at;

www.avlite.com

Avlite Systems will repair or replace your light in the event of electronic failure for a period of three years from the date of purchase.

The unit must be returned to Avlite Systems freight prepaid.

Warranty Conditions

1. The warranty is applicable to lights manufactured from 1/1/2000.
2. The light must be installed in accordance with Avlite instructions.
3. No modifications to the original specifications determined by Avlite shall be made without written approval of Avlite Systems.
4. Input voltage shall not exceed those recommended for the product.
5. Warranty does not cover damage caused by the incorrect replacement of battery in the AV15, AV60 or AV70 light models.
6. Replacement of battery is excluded from the warranty.
7. No recognition shall be given to flooding, or damage incurred from misuse of lights.
8. Solar modules are covered by individual manufacturers' warranty.

Information in this manual is subject to change without notice and does not represent a commitment on the part of the vendor. Avlite products are subject to certain Australian and world-wide patent applications.

Head Office

Avlite Systems
11 Industrial Drive
Somerville, Vic 3912
Australia
Tel: +61 3 5977 6128
Fax: +61 3 5977 6124
Email: info@avlite.com
Internet: www.avlite.com

USA Customers:

GulfRim Navigation
1401 South State
Abbeville, LA 70510
USA
Ph: 877-893-0789
Fax: 337-893-6256
Internet: www.gulfrim.com
Email: info@gulfrim.com